

IMPORTANT INFORMATION

Note! Please visit www.jeld-wen.com for additional resources and complete instructions. We have How-To videos and written Product Guides available for most products. Contact us for more information.

INCLUDED PARTS

- 1 Secondary Vent Stop Assembly
- 2 Screws

PRECAUTIONS AND SAFETY

- Use proper and safe equipment and protective gear as necessary.

NEEDED TOOLS

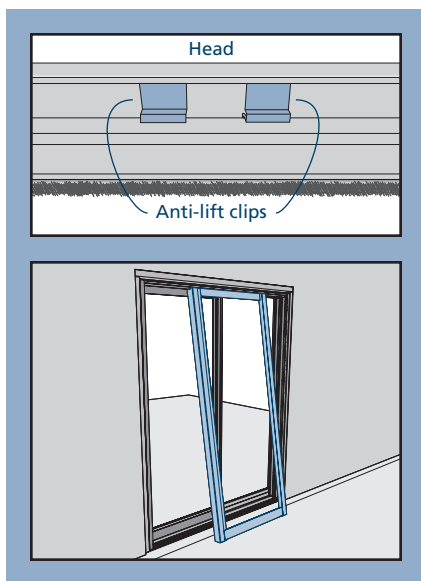
- Drill
- 3/32" and 5/16" drill bit
- Drill bit mechanical collar or painter's tape
- Phillips head screwdriver
- Round file
- Putty knife

PATIO DOOR SECONDARY VENT STOP REPLACEMENT

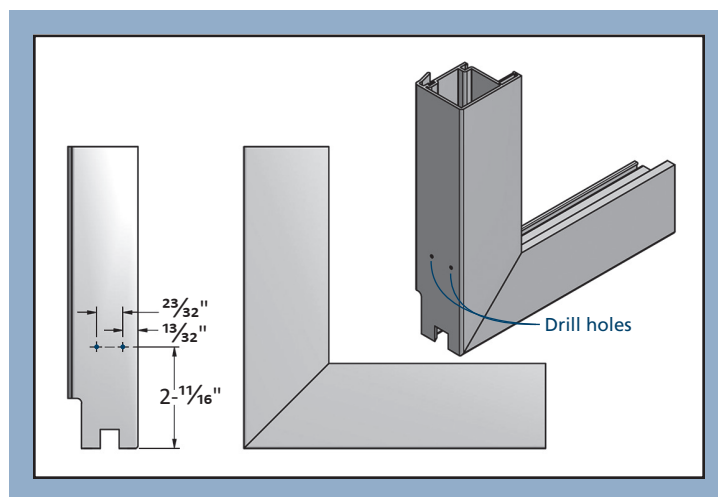
SLIDING/ROLLING PATIO DOOR OPERATING PANEL REMOVAL

1. Remove the operating panel from the door.
For screen removal visit www.jeld-wen.com (JPG008).
Panel removal can be awkward and could cause physical injury or product damage; we recommend the help of additional people. Operating panel(s) normally remove to the interior. Some doors have a sill riser that will prevent the panel from being removed to the interior. The fixed panel(s) will need to be removed allowing the operating panel to be removed from the exterior. Follow the instructions for fixed panel removal before attempting to remove the operating panel(s). Please visit www.jeld-wen.com for fixed panel removal instructions (JPG008).

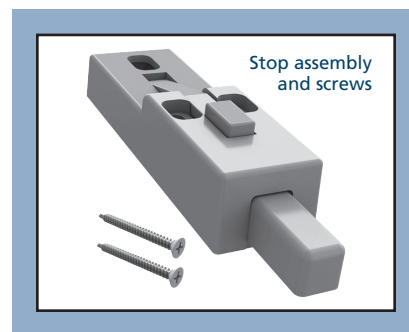
2. On the interior, unlock panel and slide to the middle or further past the anti-lift blocks in the head.
3. Lift panel up and over bottom track and remove to the interior. The rollers may need to be adjusted up into the panel and then held with a putty knife or similar flat tool in order to clear the sill track.



4. Using a 3/32" drill bit pre-drill holes based on the locations in the drawing.



5. Install the Stop Assembly using the screws supplied, use caution to not over tighten.
6. Replace the panel in the opening, reversing the removal steps.
7. Open the panel 4" and secure in place.
8. Activate stop mechanism until the pins are in contact with the track.
9. Using the pins as a guide, trace around the pins to locate the receiving holes.
10. Close the door panel.
11. Drill the receiving holes through only one wall of the vinyl using a 5/16" drill bit. (Use a mechanical collar set to 3/16" drill depth or improvise one using painter's tape wrapped around the drill bit.)
12. Clean any burrs with a round file and test for operation.



The advice offered herein can be done by a homeowner with some mechanical aptitude. If you are unsure, it is recommended that you hire a trained service provider such as a competent and licensed construction contractor or building professional. JELD-WEN disclaims any and all liability associated with the use and/or provision of these instructions. Any reliance upon the information or advice is at the risk of the party so relying. The information contained herein may be changed from time to time without notification.