

IMPORTANT INFORMATION

Note! Please visit www.jeld-wen.com for additional resources and complete instructions. We have How-To videos and written Product Guides available for most products. Contact us for more information.

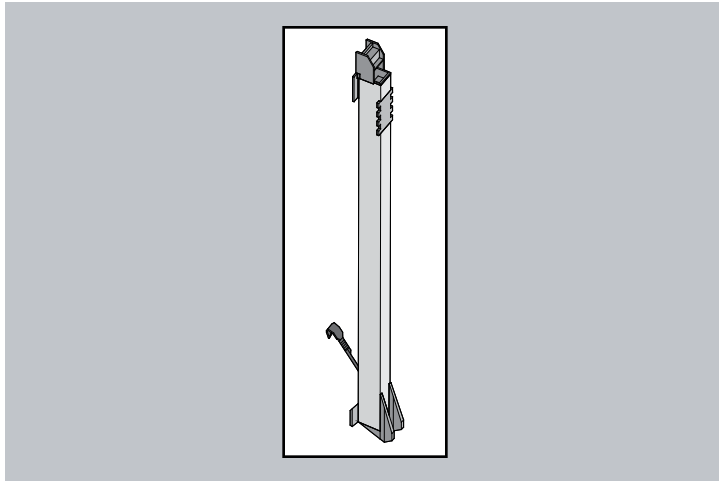
INCLUDED PARTS

- (2) Balances

SIDE LOAD BALANCE REPLACEMENT

BLOCK & TACKLE TYPE A BALANCE

Remove sash to gain access to the balances. See the **Product Guide on www.jeld-wen.com for complete instructions on sash removal.**



PRECAUTIONS AND SAFETY

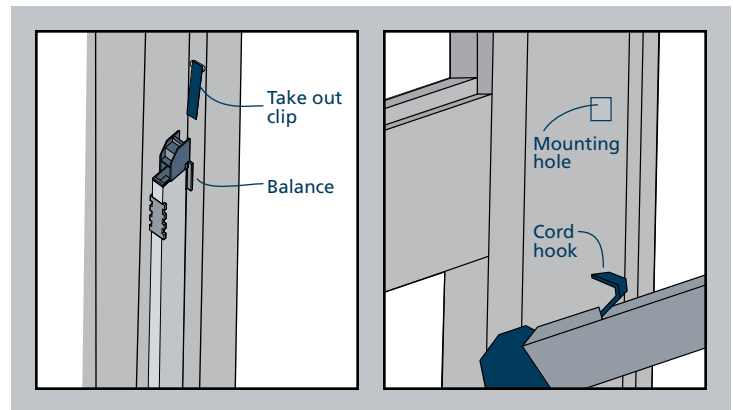
- Use proper and safe equipment and protective gear as necessary.
- Sash removal can be awkward and could cause physical injury or product damage; we recommend the help of a second person.

NEEDED TOOLS

- Flat head screwdriver (optional)

REMOVAL

1. Tightly grip both ends of balance. Pull down to release balance top from metal takeout clip.
2. Firmly hold both ends of balance (do not grip underside of balance or injury may result), and allow balance to lift up to release tension.
3. Remove cord hook on bottom back side of balance from mounting hole in side jamb, and remove balance.



INSTALLATION

1. Insert cord hook in side jamb mounting hole.
2. Tightly grip both ends of balance, press down and hook top under metal takeout clip.
3. Reinstall sash.
4. Test sash operation and make sure lock fully engages. If the sash does not move freely or the lock does not engage, remove and reinstall the sash and/or balances.

The advice offered herein can be done by a homeowner with some mechanical aptitude. If you are unsure, it is recommended that you hire a trained service provider such as a competent and licensed construction contractor or building professional. JELD-WEN disclaims any and all liability associated with the use and/or provision of these instructions. Any reliance upon the information or advice is at the risk of the party so relying. The information contained herein may be changed from time to time without notification.