

IMPORTANT INFORMATION

Note! Please visit www.jeld-wen.com for additional resources and complete instructions. We have How-To videos and written Product Guides available for most products. Contact us for more information.

INCLUDED PARTS

- Sweep

PRECAUTIONS AND SAFETY

- Use proper and safe equipment and protective gear as necessary.

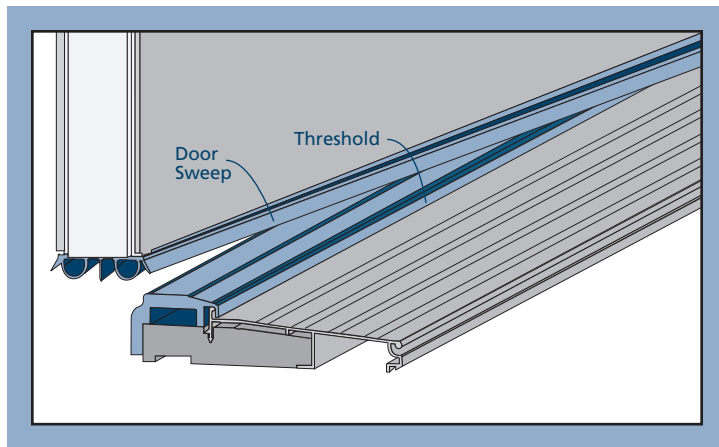
NEEDED TOOLS

- Needle nose pliers or side cutters
- Putty knife
- Utility knife
- Caulking gun with silicone sealant
- Rubber mallet
- Staple gun and staples

DOOR SWEEP REPLACEMENT

DOOR SWEEP (INSWING DOORS ONLY)

The door sweep is mounted on the bottom of the door slab and fills the gap between the threshold and the slab. Due to continual contact with the threshold, the door sweep may lose its shape and cease to provide an effective seal.



To replace:

1. Remove the door slab.
2. Lay the door slab on a flat, padded work surface.
3. Remove staples in door sweep with needle nose pliers or side cutters.
4. Pull door sweep loose by starting at one end and working to the other.
5. Clean old sealant off rail with putty knife.
6. Trim new door sweep to same length as the existing one.
7. Cover face (the side with the barbs) of new door sweep with silicone sealant.
8. Work attachment barbs into kerfs from one end of the panel to the other. Carefully strike with a rubber mallet to fully set sweep.
9. Secure sweep to the door panel with staples and wipe off sealant squeeze-out. Seal the sweep on both ends with silicone sealant. Reinstall the door slab.

The advice offered herein can be done by a homeowner with some mechanical aptitude. If you are unsure, it is recommended that you hire a trained service provider such as a competent and licensed construction contractor or building professional. JELD-WEN disclaims any and all liability associated with the use and/or provision of these instructions. Any reliance upon the information or advice is at the risk of the party so relying. The information contained herein may be changed from time to time without notification.