



IMPORTANT INFORMATION

Note! Please visit www.jeld-wen.com for additional resources and complete instructions. We have How-To videos and written Product Guides available for most products. Contact us for more information.

INCLUDED PARTS

- Crank handle
- Cover

PRECAUTIONS AND SAFETY

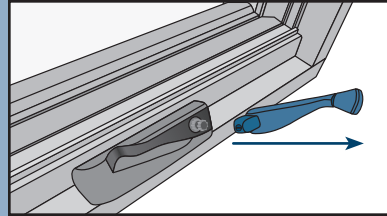
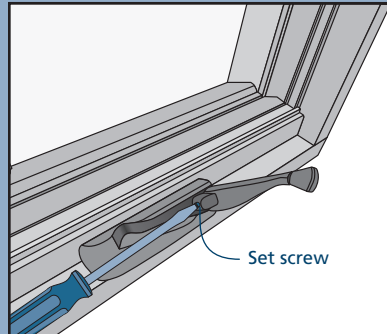
- Use proper and safe equipment and protective gear as necessary.

NEEDED TOOLS

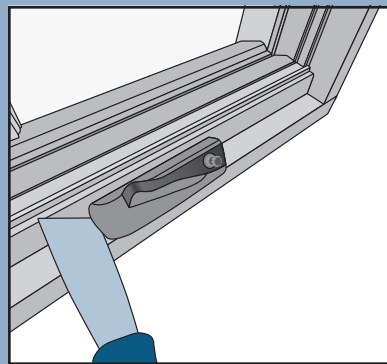
- Flat head screwdriver
- Putty knife

CASEMENT CRANK HANDLE AND COVER REPLACEMENT

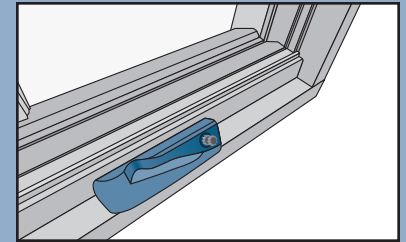
1. Remove the operator handle by loosening the set screw and pulling toward the interior.



2. Remove the operator cover by gently inserting a putty knife under one side and rotating up until it snaps off. Pull to the interior to remove.



3. Install the new handle cover.



4. Install the new crank handle and tighten the set screw.

