

### IMPORTANT INFORMATION

**Note!** Please visit [www.jeld-wen.com](http://www.jeld-wen.com) for additional resources and complete instructions. We have How-To videos and written Product Guides available for most products. Contact us for more information.

#### INCLUDED PARTS

- Keyed handle
- 2 keys

#### PRECAUTIONS AND SAFETY

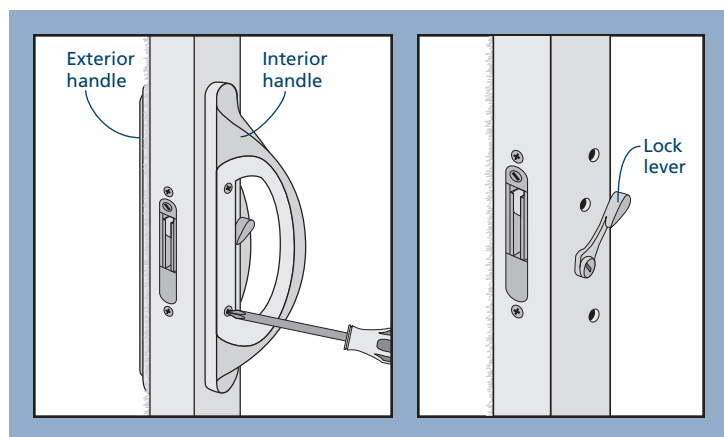
- Use proper and safe equipment and protective gear as necessary.

#### NEEDED TOOLS

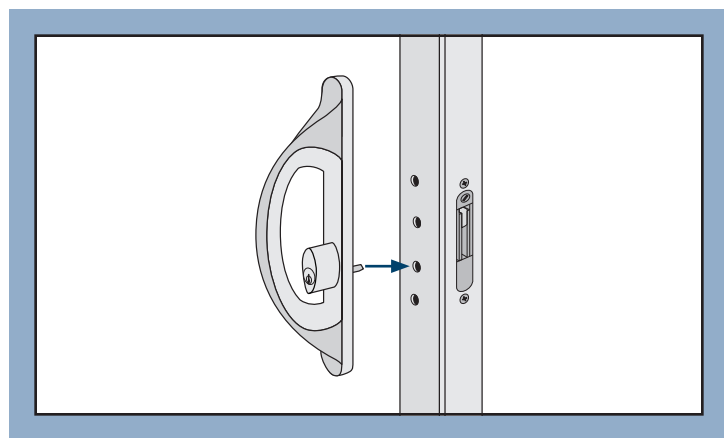
- Phillips head screwdriver

### PATIO DOOR EXTERIOR HANDLE REPLACEMENT

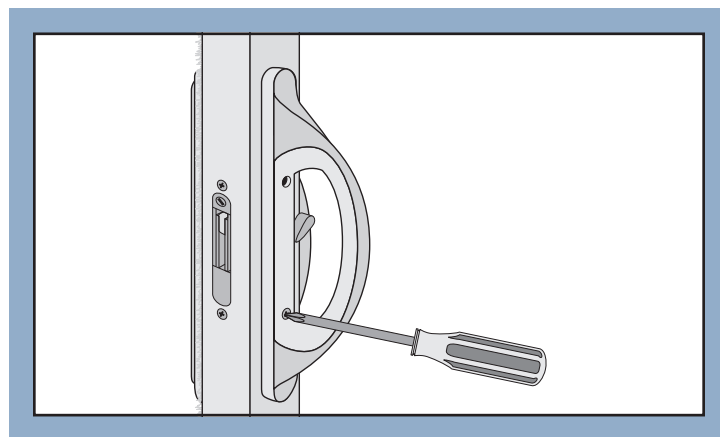
1. Unlock and open the patio door.
2. While holding both handles in place, use the Phillips head screwdriver to remove both screws.



3. Remove both handles leaving the lock lever in place.
4. Place the studs of the new handle and interior handle in the alignment holes and hold in place.



5. Install the two screws securing the handles.



6. Close the door and test for proper operation.

The advice offered herein can be done by a homeowner with some mechanical aptitude. If you are unsure, it is recommended that you hire a trained service provider such as a competent and licensed construction contractor or building professional. JELD-WEN disclaims any and all liability associated with the use and/or provision of these instructions. Any reliance upon the information or advice is at the risk of the party so relying. The information contained herein may be changed from time to time without notification.