



### IMPORTANT INFORMATION

**Note!** Please visit [www.jeld-wen.com](http://www.jeld-wen.com) for additional resources and complete instructions. We have How-To videos and written Product Guides available for most products. Contact us for more information.

#### INCLUDED PARTS

- Handle set

#### PRECAUTIONS AND SAFETY

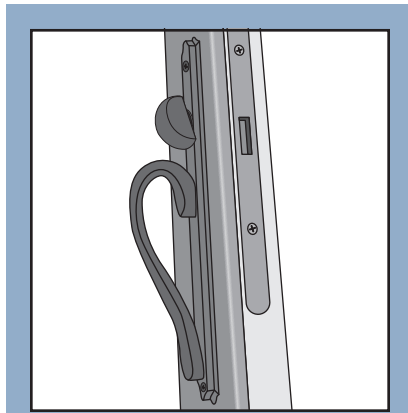
- Use proper and safe equipment and protective gear as necessary.

#### NEEDED TOOLS

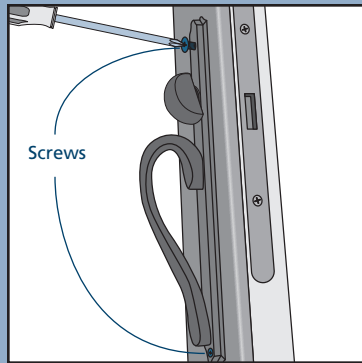
- Phillips screwdriver

### SLIDING PATIO DOOR MULTI-POINT HANDLE SET REPLACEMENT

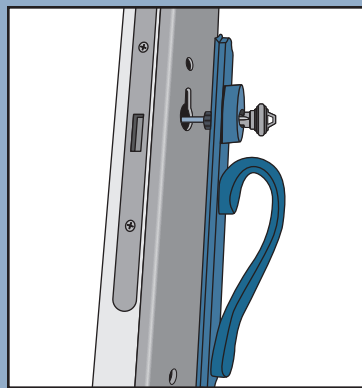
1. Unlock and open the operating panel.



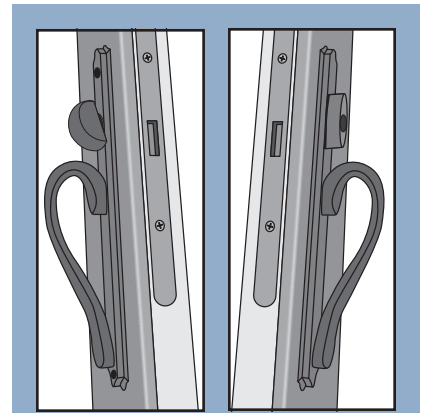
2. Remove the two screws on the interior handle and remove.



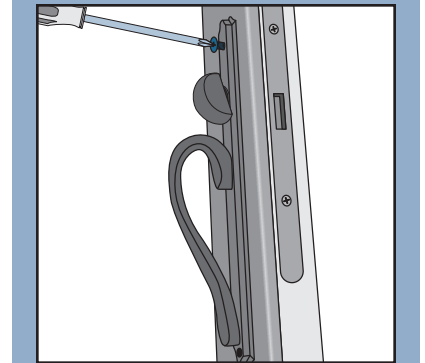
3. Remove exterior handle.



3. Place the new handles on the door.



4. Tighten the screws and test for proper operation.



The advice offered herein can be done by a homeowner with some mechanical aptitude. If you are unsure, it is recommended that you hire a trained service provider such as a competent and licensed construction contractor or building professional. JELD-WEN disclaims any and all liability associated with the use and/or provision of these instructions. Any reliance upon the information or advice is at the risk of the party so relying. The information contained herein may be changed from time to time without notification.