

IMPORTANT INFORMATION

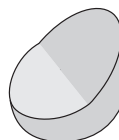
Note! Please visit www.jeld-wen.com for additional resources and complete instructions. We have How-To videos and written Product Guides available for most products. Contact us for more information.

INCLUDED PARTS

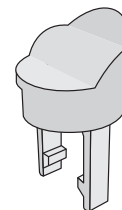
- 24 Standard Screw Plugs *or*
- 24 Impact Screw Plugs *or*
- 18 Domed Craftsman Screw Plugs

PRECAUTIONS AND SAFETY

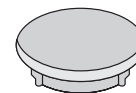
- Use proper and safe equipment and protective gear as necessary.



Standard
Screw Plug

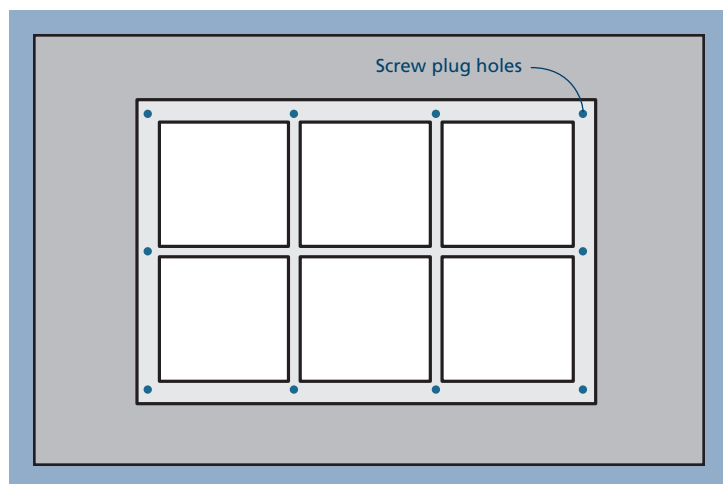


Impact
Screw Plug



Domed Craftsman
Screw Plug

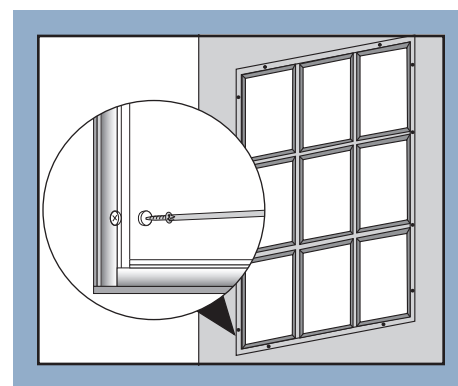
SCREW PLUG REPLACEMENT



NOTE: Screw plugs are made to fit tightly. If you have trouble inserting them in to the screw plug holes, put them in the freezer for 1-2 hours and then replace them in the holes.

REMOVING AND INSERTING SCREW PLUGS

1. If you need to remove any screw plugs - drive a drywall screw into the screw plug until it is loose and then remove from the hole. Remove all remaining screw plugs in the same manner.
2. Push new screw plugs in the holes until they snap in to place.



The advice offered herein can be done by a homeowner with some mechanical aptitude. If you are unsure, it is recommended that you hire a trained service provider such as a competent and licensed construction contractor or building professional. JELD-WEN disclaims any and all liability associated with the use and/or provision of these instructions. Any reliance upon the information or advice is at the risk of the party so relying. The information contained herein may be changed from time to time without notification.