

IMPORTANT INFORMATION

Note! Please visit www.jeld-wen.com for additional resources and complete instructions. We have How-To videos and written Product Guides available for most products. Contact us for more information.

INCLUDED PARTS

- Door track with track cap

PRECAUTIONS AND SAFETY

- Use proper and safe equipment and protective gear as necessary.

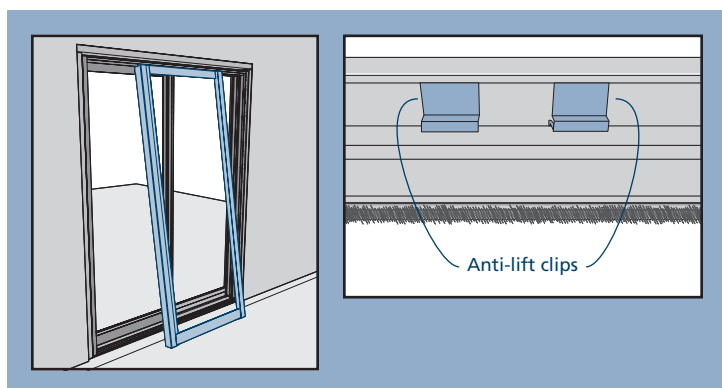
NEEDED TOOLS

- Putty knife
- Rubber Mallet
- Phillips screwdriver

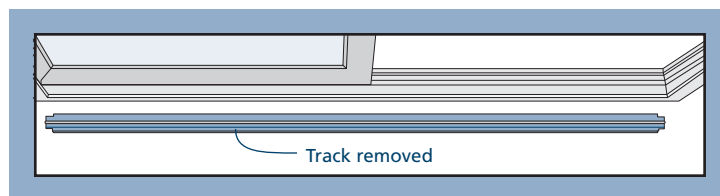
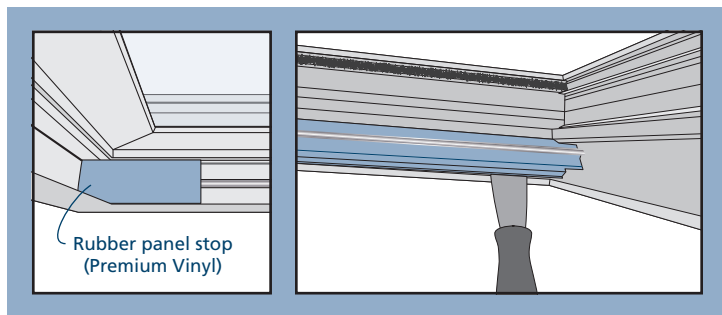
PATIO DOOR TRACK REPLACEMENT

1. Unlock and fully open the door panel.
2. Lift the panel and remove by tipping the bottom to the interior of the home and gently lowering to release the top of the panel from the pocket.

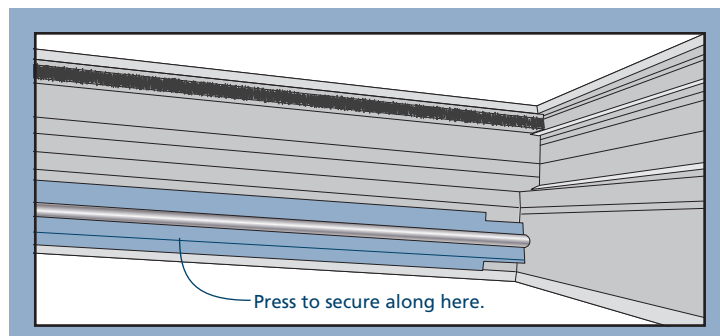
Note: If you are unable to lift the panel high enough close the door and inspect the top pocket for an anti-lift that is out of position. Anti-lift clips should be over the panel when in the closed position and can be pushed over to the correct position using the putty knife.



3. If applicable, remove rubber panel stops seated on panel track by lifting them out of place.
4. From the interior side insert putty knife in the seam between the frame and track and pry to release and remove track



5. Properly orientate replacement track for installation.
 - * The Premium will have an engraved line that needs to be between the silver cap and interior wall of the frame.
 - * The Builders version will need the taller side to the interior.
6. Center the track in the frame pocket and press on the side exterior to the silver track cap to make sure it is properly seated.
7. Starting from one end, press firmly along the area noted in the image below. It will snap secure at both ends when properly seated.



8. Reinstall panel from the fully open position by lifting the top of the panel into the upper pocket and tilting the bottom in.
9. Replace rubber panel stops if applicable.
10. Test for operation.

The advice offered herein can be done by a homeowner with some mechanical aptitude. If you are unsure, it is recommended that you hire a trained service provider such as a competent and licensed construction contractor or building professional. JELD-WEN disclaims any and all liability associated with the use and/or provision of these instructions. Any reliance upon the information or advice is at the risk of the party so relying. The information contained herein may be changed from time to time without notification.