

IMPORTANT INFORMATION

Note! Please visit www.jeld-wen.com for additional resources and complete instructions. We have How-To videos and written Product Guides available for most products. Contact us for more information.

INCLUDED PARTS

- Interior handle
- Lock lever
- (2) Screws

PRECAUTIONS AND SAFETY

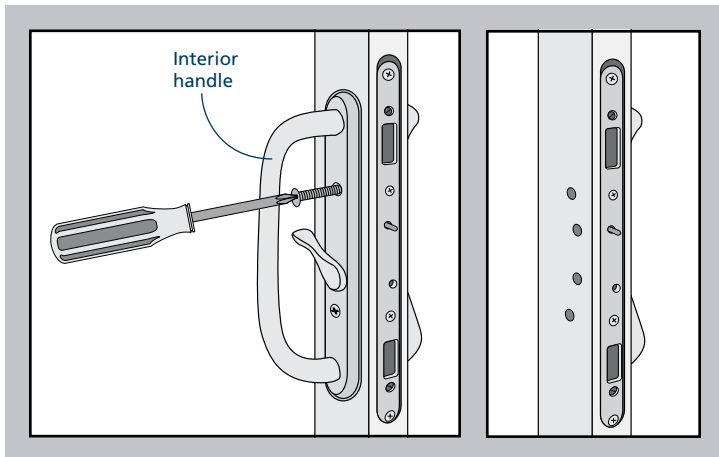
- Use proper and safe equipment and protective gear as necessary.

NEEDED TOOLS

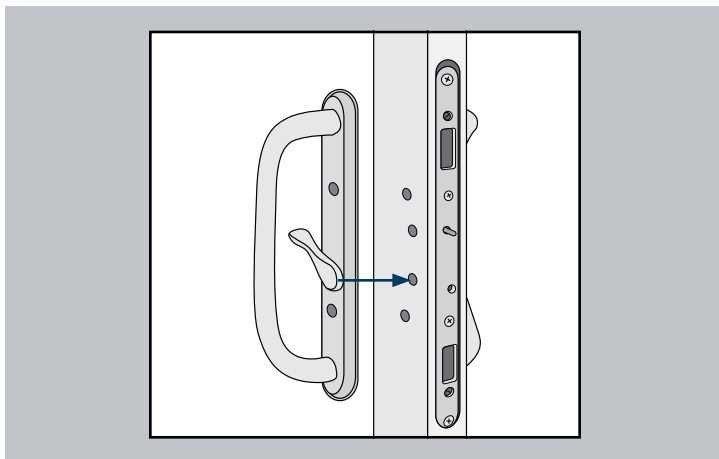
- Phillips head screwdriver

PATIO DOOR INTERIOR HANDLE REPLACEMENT

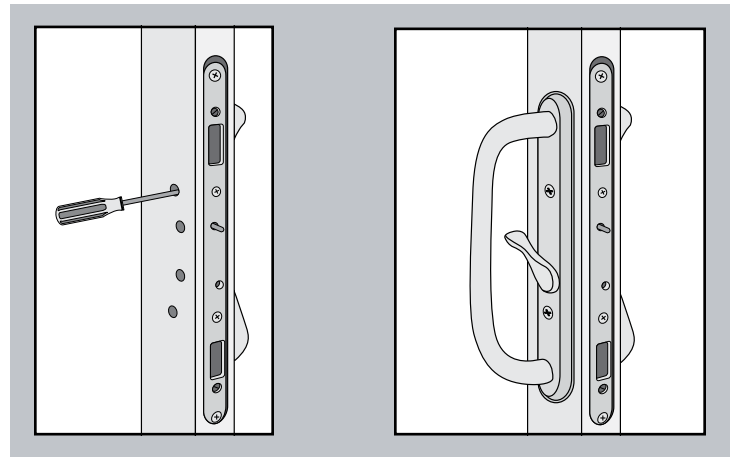
1. Unlock and open the patio door.
2. While holding both handles in place, use the Phillips head screwdriver to remove both screws.
3. Remove both handles.



4. Place the blind nuts of the exterior handle and holes of the interior handle in the alignment holes and hold in place.



5. Install the new screws securing the handles.



6. Close the door and test for proper operation.

The advice offered herein can be done by a homeowner with some mechanical aptitude. If you are unsure, it is recommended that you hire a trained service provider such as a competent and licensed construction contractor or building professional. JELD-WEN disclaims any and all liability associated with the use and/or provision of these instructions. Any reliance upon the information or advice is at the risk of the party so relying. The information contained herein may be changed from time to time without notification.