

### IMPORTANT INFORMATION

**Note!** Please visit [www.jeld-wen.com](http://www.jeld-wen.com) for additional resources and complete instructions. We have How-To videos and written Product Guides available for most products. Contact us for more information.

#### INCLUDED PARTS

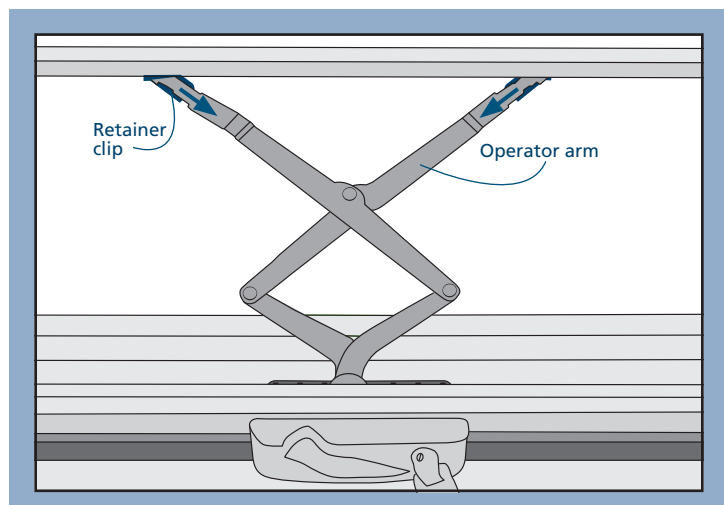
- Awning operator
- Contour Handle and Cover
- Operator screws (6)

### AWNING OPERATOR REPLACEMENT

#### AWNING OPERATOR REMOVAL AND INSTALLATION

##### REMOVAL

1. Remove insect screens and open sash until all 6 operator screws are visible.
2. **Use mechanism or second person to support sash in the open position.**
3. Locate the retainer clips on the end of the operator arms and slide away from sash.



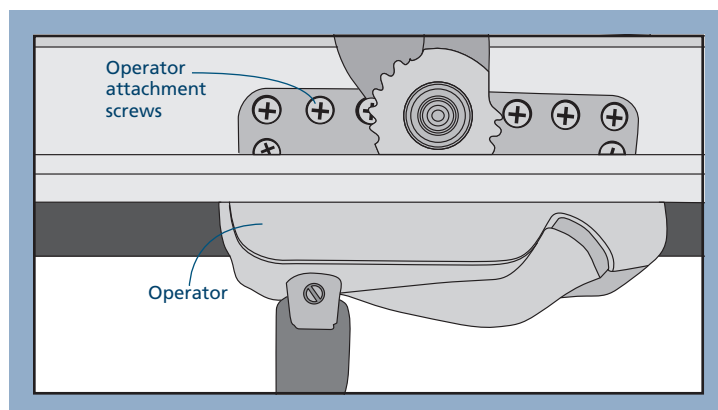
#### PRECAUTIONS AND SAFETY

- Use proper and safe equipment and protective gear as necessary.

#### NEEDED TOOLS

- Phillips head screwdriver

4. Remove each operator arm from corresponding black slide.
5. Remove operator screws (6) and remove the operator to the interior using caution to not damage existing gasket if present.



6. Insert the new operator and fasten the operator screws (6) being careful to not over tighten.
7. Install the cover by placing the top to the frame and pressing down to secure.
8. Place the handle on the operator and move arms and or sash into place where the arms can be reattached.
9. Attach arms on to studs of each black slide and press retaining clips back into the lock position.
10. Crank the sash closed and adjust handle position on spindle to where it will nest. Secure set screw.

**Note!** On some windows, there is a gasket under the operator. Remove carefully to avoid damage. Re-use the gasket under the replacement operator.

11. Replace the insect screen (if present) and verify the lock operates properly.

The advice offered herein can be done by a homeowner with some mechanical aptitude. If you are unsure, it is recommended that you hire a trained service provider such as a competent and licensed construction contractor or building professional. JELD-WEN disclaims any and all liability associated with the use and/or provision of these instructions. Any reliance upon the information or advice is at the risk of the party so relying. The information contained herein may be changed from time to time without notification.