

IMPORTANT INFORMATION

Note! Please visit www.jeld-wen.com for additional resources and complete instructions. We have How-To videos and written Product Guides available for most products. Contact us for more information.

Note! Operating sashes must be unlocked and open, or removed, before attempting lock removal. There is a metal stiffener in each sash. To avoid disturbing the location of the stiffener, if the sash(es) are removed, the lock rail must be kept horizontal before and during lock removal and installation.

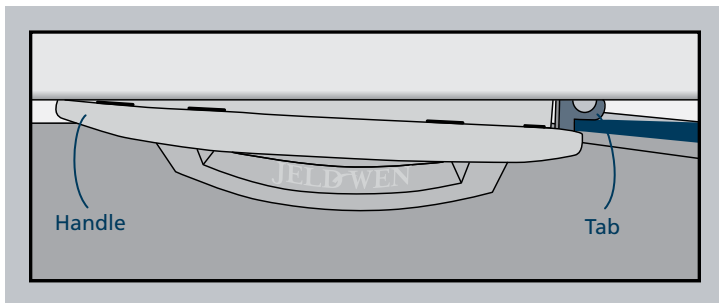
INCLUDED PARTS

- Lock
- (2) Lock screws
- Keeper
- (2) Keeper screws
- Gasket

MAG-LOCK® REPLACEMENT AND ADJUSTMENT

MAG-LOCK REPLACEMENT

1. Pull up on the handle and glide a putty knife into the gap between the sash and lock on one side. The putty knife will depress a projecting tab on the lock and allow it to be slid out.
2. Repeat for the other side and remove lock.
3. Install new lock by snapping it into the sash in the same position as the old lock. Install the new keeper and adjust as necessary.



PRECAUTIONS AND SAFETY

- Use proper and safe equipment and protective gear as necessary.
- Use extra care when driving screws near glass unit to avoid breakage.
- Use caution when tightening screws to avoid stripping the screw holes.
- Sash removal can be awkward and could cause physical injury or product damage; we recommend the help of a second person.

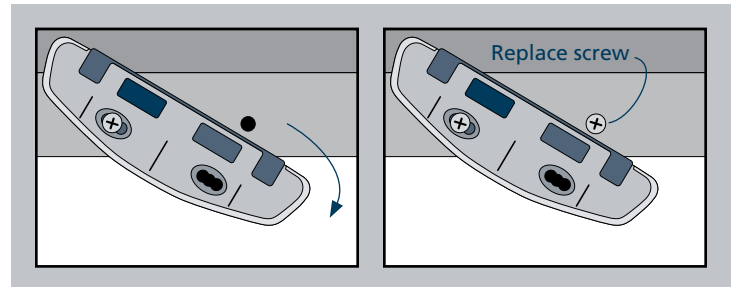
NEEDED TOOLS

- Phillips head screwdriver
- Putty knife

MAG-LOCK KEEPER REPLACEMENT

REPLACEMENT

1. Remove sash for unobstructed access to keeper.
2. Unscrew one side and swing keeper body free of unit.
3. Replace the removed screw into the existing hole to secure metal stiffener in place.



4. Unscrew the other side and remove the keeper.
5. Reverse the steps to install the new keeper, securing one side at a time.
6. Close and lock the window to test for alignment.

ADJUSTMENT

Note keeper location and mark if necessary.

1. Remove sash for unobstructed access to keeper.
2. Loosen both screws in keeper (do not remove).
3. Move keeper from side to side as necessary.
4. Re-tighten screws, close and lock window and test new alignment.

The advice offered herein can be done by a homeowner with some mechanical aptitude. If you are unsure, it is recommended that you hire a trained service provider such as a competent and licensed construction contractor or building professional. JELD-WEN disclaims any and all liability associated with the use and/or provision of these instructions. Any reliance upon the information or advice is at the risk of the party so relying. The information contained herein may be changed from time to time without notification.